

Cautions

The Auto Wind Hose Reel is designed for home watering applications using cold water only. It is not intended for commercial applications.

Before use ensure the reel is securely attached to the wall and free of obstructions.

Do not place undue force on the reel casing. Doing so may damage the casing or the bracket.

Children should not be allowed to operate or play with the Auto Wind Hose Reel. Ensure children are clear of the hose and casing when unwinding.

Always walk the hose back to the reel when rewinding.

Regularly inspect the bracket and securing pin for signs of wear.

Always turn the water off at the tap when the Auto Wind Hose Reel is not in use.

Guarantee

This Pope product and its components are guaranteed to be free from defects in materials or workmanship for a period of 12 months from the date of purchase provided the product has been used in accordance with the manufacturer's recommendations. Our obligation under this guarantee is limited to the repair or replacement at our option, of the product within one year from the date of purchase.

Use of this product outside of the manufacturer's recommendations or disassembling of the hose reel will void the warranty.

In the interest of better quality and value we are constantly updating our product. Consequently the pictures on the packaging and in this installation and operation guide may differ from the model enclosed.

Made to Toro Australia Pty Ltd's manufacturing specifications and quality standards in China.

www.popeproducts.com.au

TORO Toro Australia

Pope® is a Registered Trademark of
Toro Australia Pty Ltd
53 Howards Road, Beverley SA 5009



POPE **AUTO WIND HOSE REEL**

With Slow Rewind System

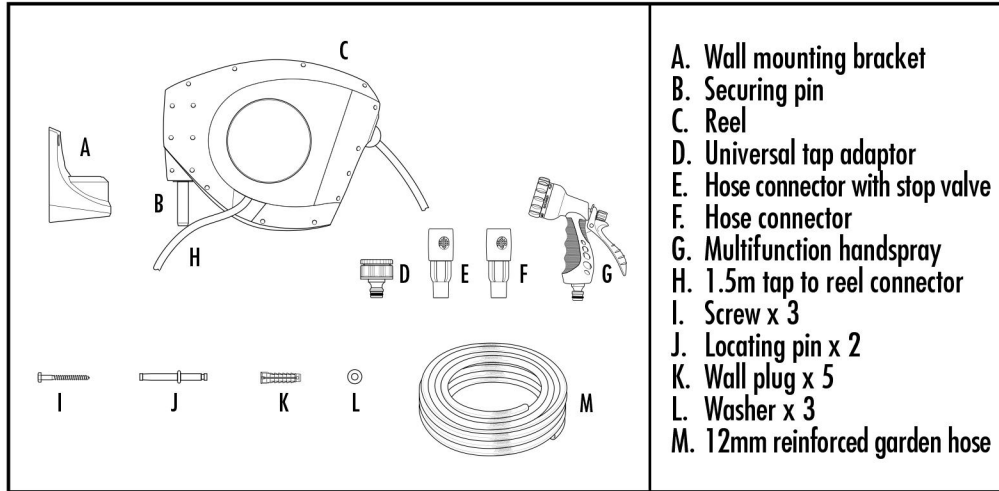


Installation and Operation Guide

Congratulations on your purchase of the Pope Auto Wind Hose Reel. This specifically designed unit features a slow rewind system, recoiling the hose slowly and safely with every use. Pre-assembled and ready for use, the Auto Wind Hose Reel comes complete with hose, hose end fittings, multifunction handspray, wall mounting bracket and screws.

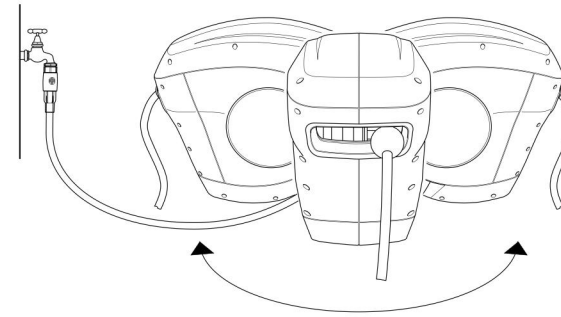
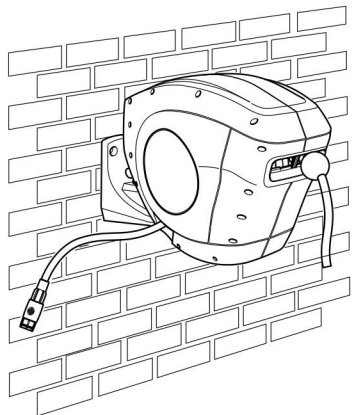
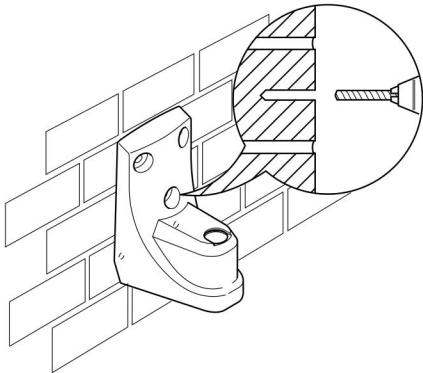
When mounted, the reel swivels through 180° allowing the hose to be pulled out in any direction. The stop and go mechanism locks the hose in place at the desired length for safe use. The enclosed reel protects the hose and prolongs the hose life.

Contents



Installation Instructions

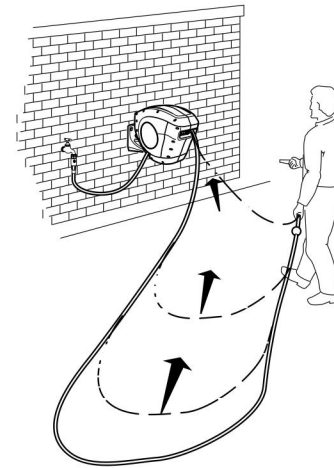
1. Select a suitable position to mount your Auto Wind Hose Reel. The Hose Reel should be mounted at approximately waist height.
2. Using the enclosed template, mark the location of the 5 holes. Drill the holes using a 12mm masonry drill bit and insert the wall plugs. Insert the locating pins in the 2 holes at the base of the bracket. Align bracket on wall and secure with remaining screws.
3. Align the back of the reel with the wall bracket and secure by inserting securing pin into the bracket.



4. Attach the tap to reel connector to your tap using the universal tap adaptor. Test to ensure the reel rotates freely through 180° with the tap adaptor connected.

Instructions for Use

Now that your Pope Auto Wind Hose Reel is securely mounted and connected to the tap it is ready for use.



1. Before first use turn the water on at the tap and unwind the hose. The hose will unwind by simply taking hold of the hose and walking away from the reel. This will allow water to flow freely through the hose and reel.
2. The automatic locking ratchet will hold the hose in place at the desired length. The mechanism will 'click' as the hose is locked in place or rewound.
3. To release, pull the hose away from the reel. You will feel the hose start to rewind, walk back with the hose towards the reel. Do not simply let go of the hose. (see pic)
4. When walking back to the reel, release the water pressure in the hose (through the handspray or nozzle). This will ensure full and even retraction of the hose.