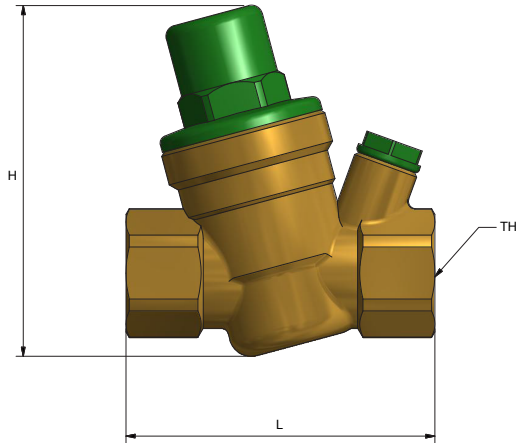


PRESSURE CONTROL VALVE

Pressure Reduction Inline FI

Product Specifications



General

Pressure Reduction Valves are fitted in water systems to moderate and stabilise mains water pressure, which is at times too high for domestic appliances. The valves are pre-set at 500kPa which is the most widely used setting for domestic appliances. However the pressure reduction valves can be easily adjusted to suit your needs from a range of 150kPa to 600kPa.

Specifications

Maximum temperature 60°C

Outlet pressure range 150 to 600kPa

Factory set at 500kPa

Maximum inlet pressure 1600kPa

Flow rate 100L/min at 700kPa

Not to be used on hot water installations

Sizing Chart [MM]

PR20	L	H	TH
	84	95	Rp 3/4"

For more information on Logi Valve, contact:
Austworld 15 Activity Crescent, Molendinar, Queensland 4214 Australia
P. 1300 780 430 F. 1300 780 441 E. info@austworld.com.au

Austworld Pty Ltd. All rights reserved 2018. Austworld and Logi Valve are registered trade mark belonging to Austworld Pty Ltd.

Features



Watermark approved

DR Brass

Excellent flow rates

Protects appliances and heating systems

Suitable for vertical or horizontal installations

Internal strainer

Adjustable 150-600kPa

Factory set at 500kPa

Outlet for pressure gauge

UV resistant cap

Tested and certified to AS 1357.1

Material Chart

Part	Material
Cover	PA
Spring	Stainless Steel
Body	DR Brass
Cartridge	PDM
Strainer	Stainless Steel



AUSTWORLD