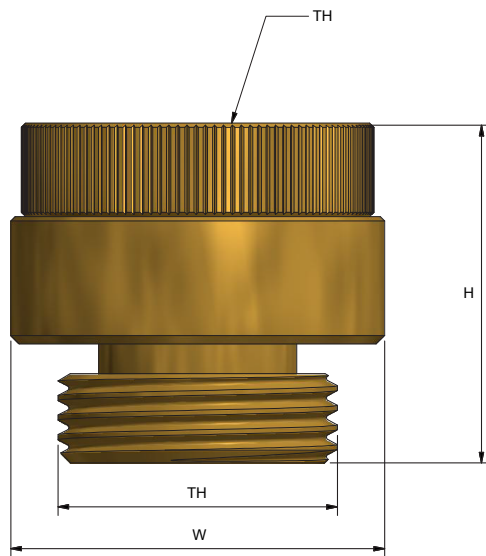


# VACUUM BREAKERS

Hose Tap Vacuum Breakers

Product Specifications



## Specifications

Working temperature 0°C - 90°C

Working pressure 1400kPa

## Features



Watermark Approved

Available in brass and chrome

Tested and certified to AS/NZS 2845.1

## Sizing Chart [MM]

	H	W	TH
VB15	37	36	G 3/4"
VB15C*	37	36	G 3/4"
VB20	40	44	G 1"
VB20C*	40	44	G 1"

\*Chrome finish

For more information on Metforge, contact:

Austworld 15 Activity Crescent, Molendinar, Queensland 4214 Australia

P. 1300 780 430

F. 1300 780 441

E. [info@austworld.com.au](mailto:info@austworld.com.au)

Austworld Pty Ltd. All rights reserved 2018. Austworld and Metforge are registered trade mark belonging to Austworld Pty Ltd.

